

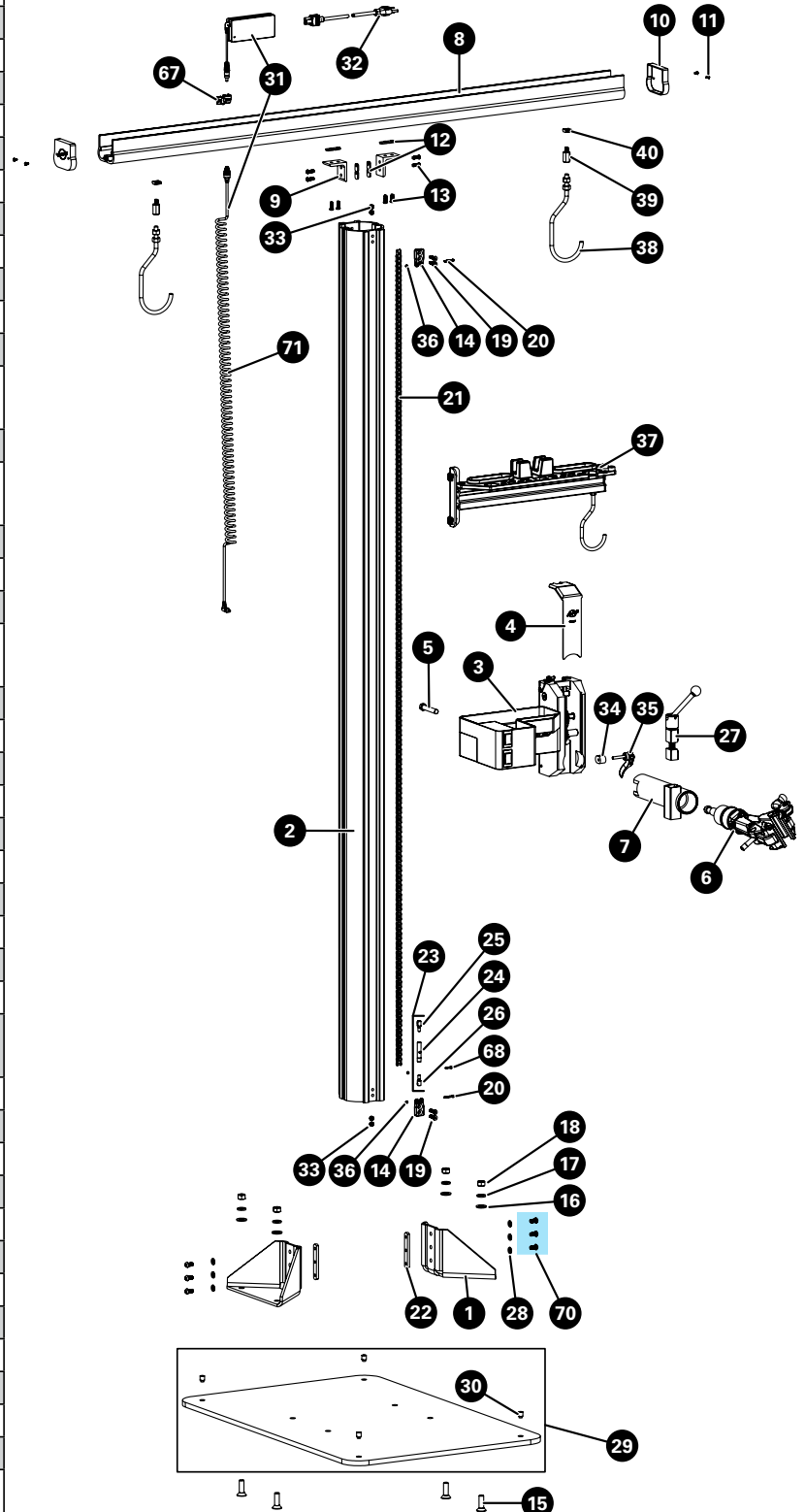


PRS-33.2

Power Lift Repair Stand
 Werkstattmontagegeständer mit E-Lift
 Pied De Reparation Electrique
 Soporte de Reparacion Mecanico con Elevador

PRS-33.2 Parts/Teile / Pièces/Partes

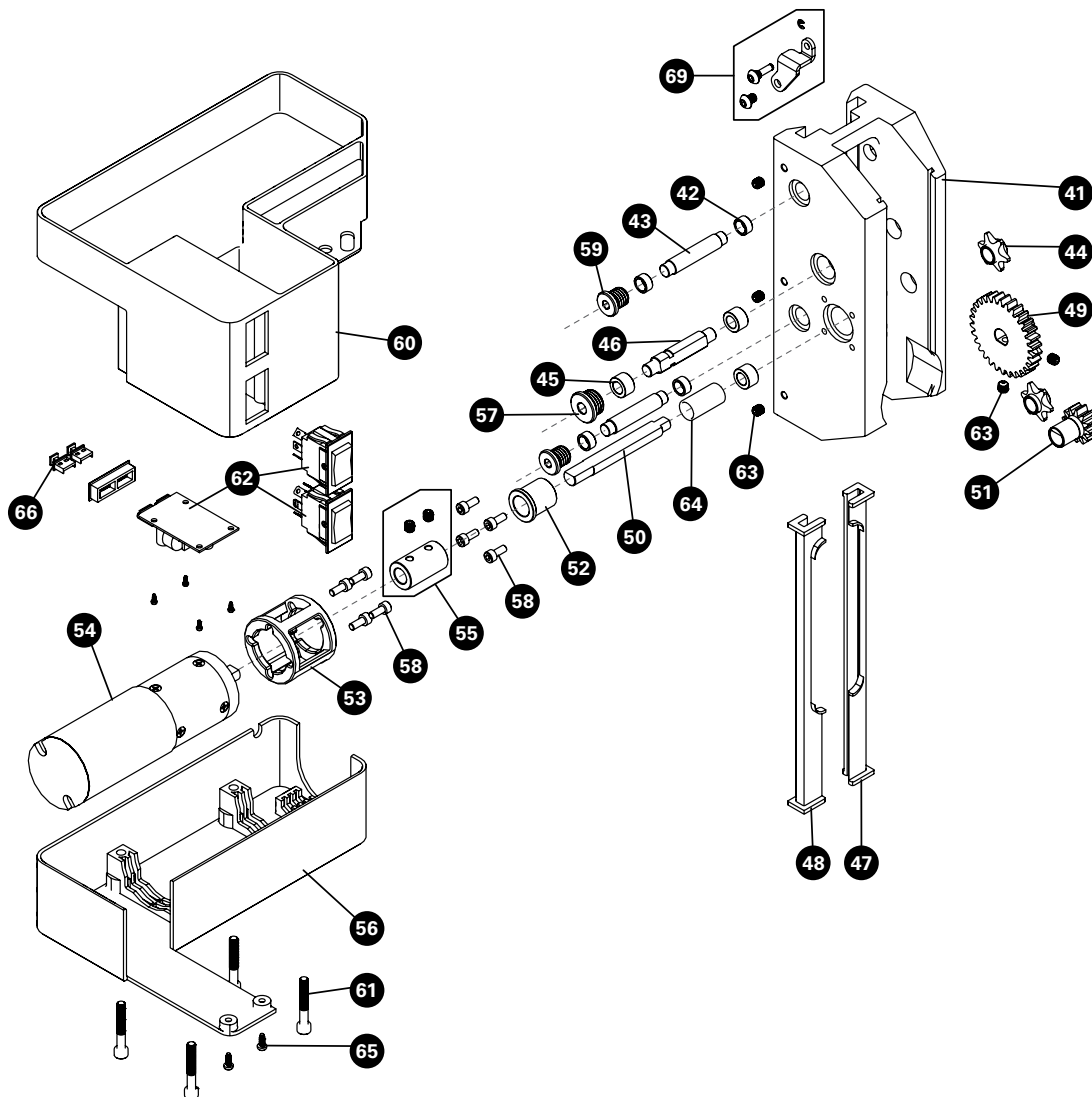
REF #	PART #	DESCRIPTION	QTY
1	2102-2	Upright Support	2
2	2100	Upright	1
3	2105.2	Carriage Assembly (see page 2)	1
4	2119	Carriage Cover	1
5	128B	Hex Head Bolt 7/16x2.5"	1
6	100-3D	Clamp	1
7	2127	Horizontal Tube	1
8	2103	Cross Bar	1
9	2106-2	Cross Bar Support	2
10	2107-2	End Cap	2
11	1921-2	End Cap Screw	4
12	2108-8	Offset T-Nut M6x1.0	8
13	2109-14	Button Head Socket Cap Screw M6x1.0x18	8
14	2104-2	Chain Retainer	2
15	2111-4	Flat Head Socket Cap Screw M12x1.75x40	4
16	2112-4	Flat Washer M12	4
17	2113-4	Lock Washer M12	4
18	2114-4	Hex Nut M12x1.75	4
19	2115-4	Flat Head Socket Cap Screw M6x1.0x25	4
20	1157-3	Socket Head Cap Screw M3x25	2
21	2150	Chain	1
22	2091-2	Triple T-Nut	2
23	2153	Chain Tensioning Assembly	1
24	2154	Chain Tensioner, Adjusting Barrel	1
25	2155	Chain Tensioner, RH Thread	1
26	2156	Chain Tensioner, LH Thread	1
27	180	Lock Block Assembly	1
28	1877-2	Washer M8	6
29	135-33	Base (Sold Separately)	1
30	2110-4	Socket Head Set Screw (included with 135-33)	4
31	2097A	Power Supply/Coil Cord Assembly	1
32	2148	Power Cord	1
33	290	Nylon Insert Locknut M6x1.0	4
34	2151	Brake Wedge	1
35	929-33	Quick Release	1
36	732-2B	Nylon Insert Locknut M3	3
37	PRS-TT-2	Tool Tray Assembly	1
38	470	Machine Thread Hook	2
39	2142-2	Thread Adapter	2
40	2143-2	Slide-In T-Nut M8	2
67	2099	Strain Relief Bushing	1
68	2117	Socket Head Cap Screw M3x16	1
70	2359-3	Button Head Socket Cap Screw M8 x 1.25 x 16 mm	6
71	2098	Coil Cord	1





PRS-33.2

Power Lift Repair Stand
 Werkstattmontagegeständer mit E-Lift
 Pied De Reparation Electrique
 Soporte de Reparacion Mecanico con Elevador



2105.2 Parts/Teile / Pièces/Partes

Ref #	Part #	Description	Qty
41	2120	Carriage	1
42	2121-4	Idler Shaft Bearing	4
43	2122-2	Idler Sprocket Shaft	2
44	2123-2	Idler Sprocket	2
45	2126-2	Drive Shaft Bearing	3
46	2124	Drive Shaft	1
47	2129.2	Carriage Bearing, Right	1
48	2130.2	Carriage Bearing, Left	1
49	2131	Drive Gear and Sprocket	1
50	2133	Drive Gear Shaft	1
51	2132	Drive Gear	1
52	2137	Flanged Bearing	1
53	2134	Motor Mount	1
54	2135	Motor	1

Ref #	Part #	Description	Qty
55	2136A	Shaft Coupling Assembly	1
56	2139.2	Motor Enclosure	1
57	2144	Drive Plug	1
58	2141-8	Socket Head Cap Screw, M5x0.8x16	8
59	2145	Idler Plug	2
60	2138.2	Work Tray Top	1
61	541	Socket Head Cap Screw, M6x40	4
62	2149.2	Wiring Harness (includes wiring & both switches)	1
63	2157-2	Hex Socket Set Screw, M6x1.0x8	5
64	2146	Drive Gear Spacer	1
65	2125-2	Plastic Thread Forming Screw	2
66	2140D-2	USB Dust Cover	2
69	2090A	Carriage Cover Retainer	1