

DT-5.2 Disc Brake Mount Facing Set

The Park Tool DT-5.2 Disc Brake Mount Facing Set is a precision tool system engineered and built to machine frame and fork disc brake mounts so they are precisely aligned to the brake rotor.

- Faces any IS Mount, Post Mount or Flat Mount, including low clearance, chainstay mounts
- Telescoping axle adapters allow use with any configuration of open or thru axle dropouts and dropout widths
- Use of the DT-5.2 helps ensure proper disc brake setup and performance

INSTRUCTIONS:

Read instructions completely before using the DT-5.2 Disc Brake Mount Facing Set. Contact the frame/ fork manufacturer for specific recommendations, cautions, or warranty issues before facing disc brake mounts. Video instructions for using the DT-5.2 can be found at www.parktool.com.

Always wear safety glasses when using the DT-5.2.

NOTES:

The DT-5.2 is precision tool and should be used and stored with care. Components should be kept clean and the cutter should be wiped with an oily cloth or rust inhibitor after use. Store the DT-5.2 in its original packaging or in another safe location.

The DT-5.2's cutter should be periodically replaced or sharpened by a qualified technician. Park Tool offers a sharpening service that returns cutters to factory specifications. For more information: www.parktool.com.

Facing Disc Brake IS Mounts

- Determine axle type, axle size and dropout width of frame/fork. Assemble DT-5.2 as shown. Using pinch bolt in axle collar (#29), adjust axle width to match the width of the frame or fork.
- Install axle of assembled DT-5.2 securely into frame or fork dropouts.
- Loosen pivot bolt (#6) then slide, pivot and rotate arm (#10) as needed to insert pilot of cutter into hole on lower mount. Tighten pivot bolt to lock position.
- Install knob (#9) on arm (#10). Turn knob clockwise while applying hand pressure to face lower mount. Use appropriate cutting fluid (such as Park Tool CF-2 Cutting Fluid) and cut only the minimum necessary for a flat mounting surface. NOTE: For speed, a ratcheting wrench with an 8mm hex bit or a Park Tool PH-8 Hex Wrench can be used to turn the knob.
- With teeth of cutter contacting face of lower mount, move stop collar (#3) until it contacts slider (#11). Tighten pinch bolt in stop collar to lock position. This sets the height of the cutter and prevents further cutting.
- Move arm (#10) and slider (#11) on axle to pull cutter from lower mount.
- Slightly loosen pivot bolt (#6). Slide, pivot and rotate arm (#10) as needed to insert pilot of cutter into hole on upper mount. Tighten pivot bolt to lock position.
- Note position of teeth on cutter. If teeth of cutter contact the upper mount and there is a gap between the stop collar (#3) and the slider (#11), complete step I and stop. If stop collar (#3) contacts slider (#11) before teeth of cutter contact the upper mount, skip step I and go straight to steps J through N.
- Turn knob (#9) clockwise while applying hand pressure to face surface of upper mount. Continue facing mount until stop collar (#3) contacts slider (#11). The facing process is complete. Remove DT-5.2 from frame/fork.
- Loosen pinch bolt in stop collar (#3).
- Turn knob (#9) clockwise while applying hand pressure to face surface of upper mount.
- With teeth of cutter contacting face of upper mount, move stop collar (#3) until it contacts slider (#11). Tighten pinch bolt in stop collar to lock position.
- Slightly loosen pivot bolt (#6). Slide, pivot and rotate arm (#10) as needed to insert pilot of cutter into hole on lower mount. Tighten pivot bolt to lock position.

- Turn knob (#9) clockwise while applying hand pressure to face surface of lower mount. Continue facing mount until collar contacts slider. The facing process is complete. Remove DT-5.2 from frame/fork.

Facing Disc Brake Post Mounts and Post Mount Adaptors (mounted to IS mounts)

- Determine axle type, axle size and dropout width of frame/fork. Assemble DT-5.2 as shown. Using pinch bolt in axle collar (#29), adjust axle width to match the width of the frame or fork.
- Install axle of assembled DT-5.2 securely into frame or fork dropouts.
- Loosen pivot bolt (#6), pinch bolt in body (#1) and pinch bolt in stop collar (#3) just enough to allow parts to slide, pivot and rotate.
- Adjust arm (#8) so the two "wings" simultaneously contact the two mounts. Tighten pivot bolt (#6) to lock position. Then tighten pinch bolt in body (#1) to lock position.
- Install knob (#9) on arm (#8).
- Loosen pivot bolt (#6) and lift arm (#8) and slider (#11) on shaft (#2). Then pivot and rotate as needed to insert 5mm pilot (#28) into hole on lower mount. Tighten pivot bolt (#6) to lock position. Note: Two pilot bolts are included with the DT-5.2—one with a 5mm pilot (#28) and one with a 4mm pilot (#26). When facing post mounts, the pilot bolt with the 5mm pilot (#28) should be installed.
- Turn knob clockwise while applying hand pressure to face mount. Use appropriate cutting fluid (such as Park Tool CF-2 Cutting Fluid) and cut only the minimum necessary for a flat mounting surface. NOTE: For speed, a ratcheting wrench with an 8mm hex bit or a Park Tool PH-8 Hex Wrench can be used to turn the knob.
- With teeth of cutter contacting face of lower mount, move stop collar (#3) until it contacts slider (#11). Tighten pinch bolt in stop collar to lock position. This sets the height of the cutter and prevents further cutting.
- Slightly loosen pivot bolt (#6). Lift arm (#8) and slider (#11) on shaft (#2) then pivot and rotate as needed to insert pilot of cutter into hole on upper mount. Tighten pivot bolt to lock position.
- Note position of teeth on cutter. If teeth of cutter contact the upper mount and there is a gap between the stop collar (#3) and the slider (#11), complete step K and stop. If the stop collar (#3) contacts the slider (#11) before teeth of the cutter contact the upper mount, skip step K and go straight to steps L through P.
- Turn knob (#9) clockwise while applying hand pressure to face surface of upper mount. Continue facing mount until stop collar (#3) contacts slider (#11). The facing process is complete. Remove DT-5.2 from frame/fork.
- Loosen pinch bolt in stop collar (#3)
- Turn knob (#9) clockwise while applying hand pressure to face surface of upper mount.
- With teeth of cutter contacting face of upper mount, move stop collar (#3) until it contacts slider (#11). Tighten pinch bolt in stop collar to lock position.
- Slightly loosen pivot bolt (#6). Lift arm (#8) and slider (#11) on shaft (#2) then pivot and rotate as needed to insert pilot of cutter into hole on lower mount. Tighten pivot bolt to lock position.
- Turn knob (#9) clockwise while applying hand pressure to face surface of lower mount. Continue facing mount until stop collar (#3) contacts slider (#11). The facing process is complete. Remove DT-5.2 from frame/fork.

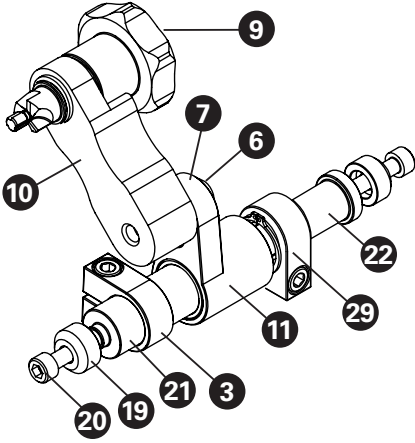
Facing Disc Brake Flat Mounts

- A. Determine axle type, axle size and dropout width of frame/fork. Assemble DT-5.2 as shown. Using pinch bolt in axle collar (#29), adjust axle width to match the width of the frame or fork.
- B. Install axle of assembled DT-5.2 securely into frame or fork dropouts.
- C. Loosen pivot bolt (#6), pinch bolt in body (#1) and pinch bolt in stop collar (#3) just enough to allow parts to slide, pivot and rotate.
- D. If facing flat mounts on frame: Place two unthreaded alignment studs (#24) into the holes in the mounts. Adjust arm (#8) so the two "wings" simultaneously contact the two alignment studs. Tighten pivot bolt (#6) to lock position. Then tighten pinch bolt in body (#1) to lock position.
If facing flat mounts on fork: Install two threaded alignment studs (#27) into the threaded holes in the mounts. Adjust arm (#8) so the two "wings" simultaneously contact the two alignment studs. Tighten pivot bolt (#6) to lock position. Then tighten pinch bolt in body (#1) to lock position.
- E. If facing flat mounts on frame: Install knob (#9) on arm (#8). Two pilot bolts are included with DT-5.2. When facing flat mounts on the frame, the pilot bolt with the 5mm pilot (#28) should be installed on the arm. If facing flat mounts on fork: Install knob (#9) and on arm (#8). Two pilot bolts are included with DT-5.2. When facing flat mounts on the fork, the pilot bolt with the 4mm pilot (#26) should be installed on the arm.
- F. Loosen pivot bolt (#6) and lift arm (#8) and slider (#11) on shaft (#2). Remove the two alignment studs (#24 or #27) then pivot and rotate arm and slider as needed to insert pilot of cutter into hole on lower mount. Tighten pivot bolt (#6) to lock position.
- G. Turn knob (#9) clockwise while applying hand pressure to face mount. Use appropriate cutting fluid (such as Park Tool CF-2 Cutting Fluid) and cut only the minimum necessary for a flat mounting surface. NOTE: For speed, a ratcheting wrench with an 8mm hex bit or a Park Tool PH-8 Hex Wrench can be used to turn the knob.
- H. With teeth of cutter contacting face of lower mount, move stop collar (#3) until it contacts slider (#11). Tighten pinch bolt in stop collar to lock position. This sets the height of the cutter and prevents further cutting.
- I. Slightly loosen pivot bolt (#6). Lift arm (#8) and slider (#11) on shaft (#2) then pivot and rotate as needed to insert pilot of cutter into hole on upper mount. Tighten pivot bolt to lock position.
- J. Note position of teeth on cutter. If teeth of cutter contact the upper mount and there is a gap between the stop collar (#3) and the slider (#11), complete step K and stop. If the stop collar (#3) contacts the slider (#11) before teeth of the cutter contact the upper mount, skip step K and go straight to steps L through P.
- K. Turn knob (#9) clockwise while applying hand pressure to face surface of upper mount. Continue facing mount until stop collar (#3) contacts slider (#11). The facing process is complete. Remove DT-5 from frame/fork.
- L. Loosen pinch bolt in stop collar (#3).
- M. Turn knob (#9) clockwise while applying hand pressure to face surface of upper mount.
- N. With teeth of cutter contacting face of upper mount, move stop collar (#3) until it contacts slider (#11). Tighten pinch bolt in stop collar to lock position.
- O. Slightly loosen pivot bolt (#6). Lift arm (#8) and slider (#11) on shaft (#2) then pivot and rotate as needed to insert pilot of cutter into hole on lower mount. Tighten pivot bolt to lock position.
- P. Turn knob (#9) clockwise while applying hand pressure to face surface of lower mount. Continue facing mount until stop collar (#3) contacts slider (#11). The facing process is complete. Remove DT-5.2 from frame/fork.

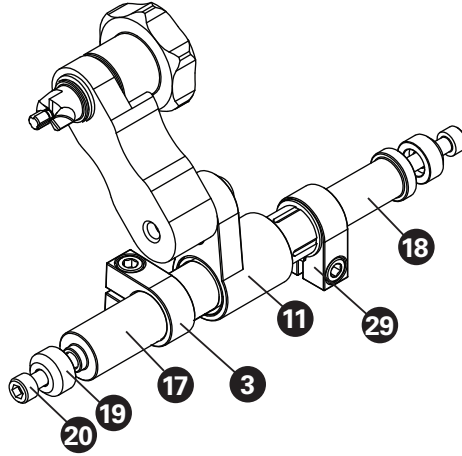


Assembly For Facing Disc Brake IS Mounts

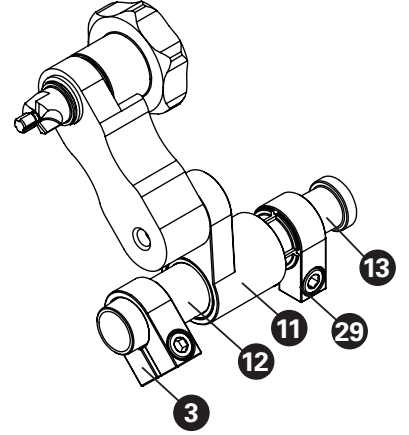
9mm Axle
Open Dropout
100-150mm Width



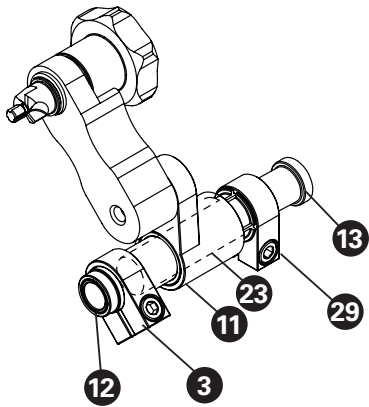
10mm Axle
Open Dropout
135-210mm Width



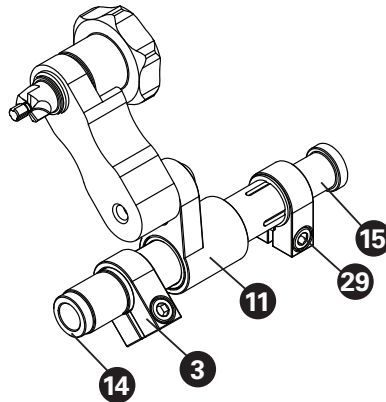
15mm Thru Axle
100-165mm Width



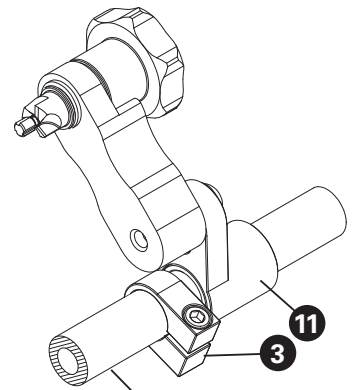
12mm Thru Axle Front
100-165mm Width



12mm Thru Axle Rear
135-215mm Width



20mm Thru Axle
Any Width

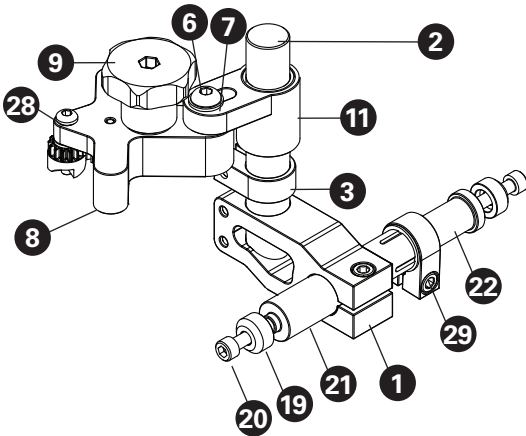


Use axle from fork

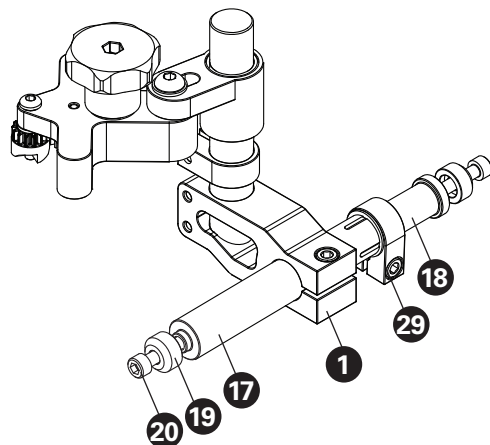
Assembly for Facing Disc Brake Post Mounts and Post Mount Adapters (mounted to IS mounts)



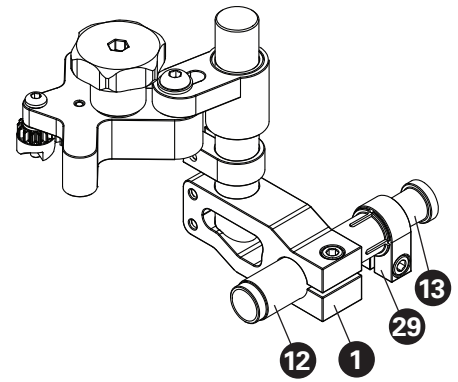
**9mm Axle
Open Dropout
100-150mm Width**



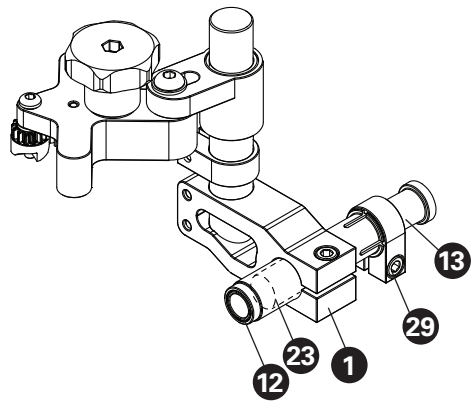
**10mm Axle
Open Dropout
135-210mm Width**



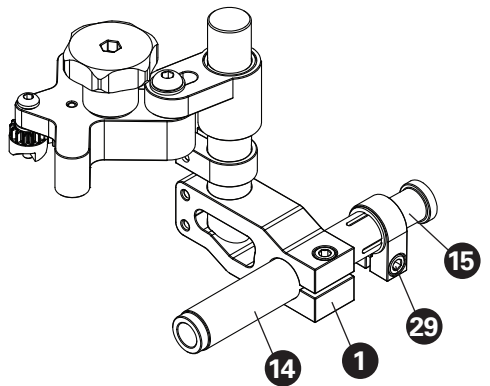
**15mm Thru Axle
100-165mm Width**



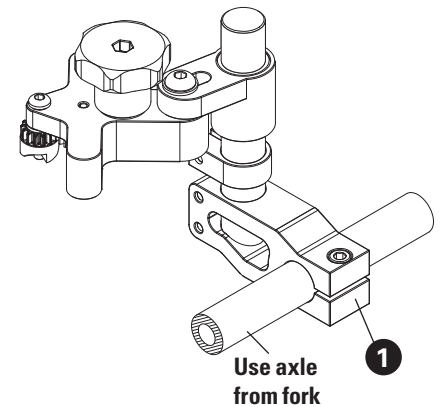
**12mm Thru Axle Front
100-165mm Width**



**12mm Thru Axle Rear
135-215mm Width**



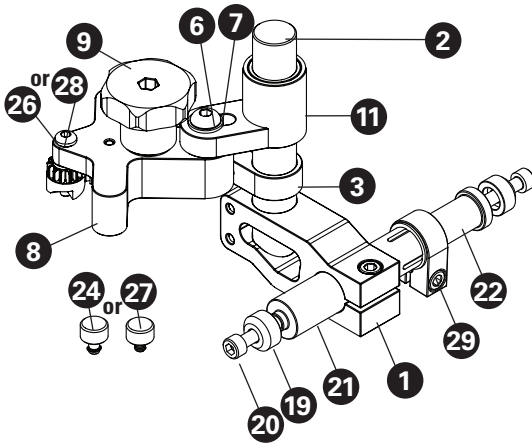
**20mm Thru Axle
Any Width**



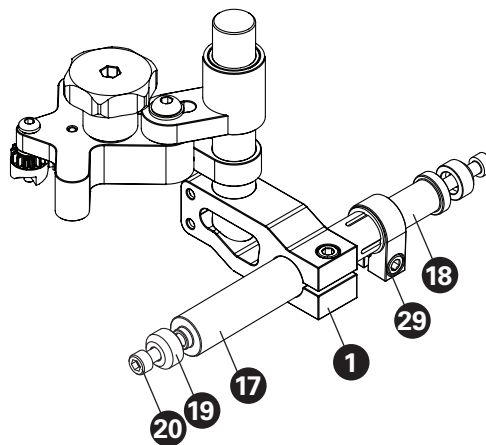
Assembly for Facing Disc Brake Flat Mounts



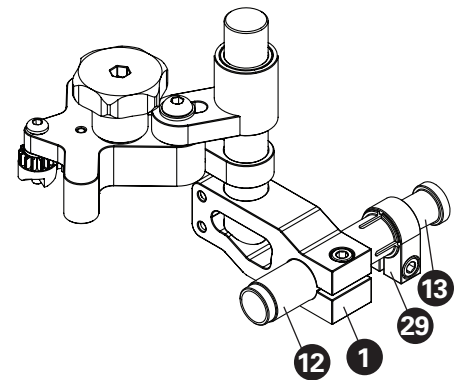
**9mm Axle
Open Dropout
100-150mm Width**



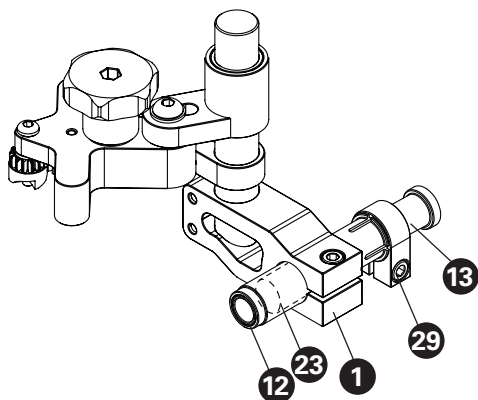
**10mm Axle
Open Dropout
135-210mm Width**



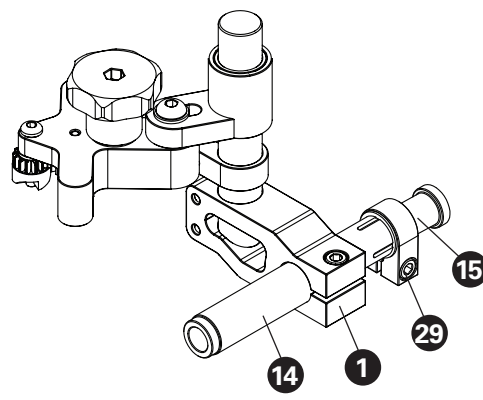
**15mm Thru Axle
100-165mm Width**



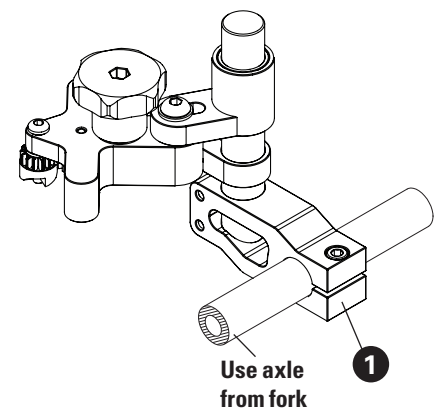
**12mm Thru Axle Front
100-165mm Width**



**12mm Thru Axle Rear
135-215mm Width**



**20mm Thru Axle
Any Width**



DT-5.2 PART NUMBERS

Ref. #	Part #	Description	Qty.
1	2160	Body	1
2	2161	Shaft	1
3	2162	Stop Collar	1
4	2163-4	Pinch Bolt (M6x18mm)	8
5	2164	Snap Ring	1
6	1888	Pivot Bolt (M8x30mm)	1
7	1877-2	Washer	1
8	2165A	Arm Assembly – Post Mount/Flat Mount	1
9	2174A	Knob	1
10	2180A	Arm Assembly – IS Mount	1
11	2182A	Slider	1
12	2190	15mm Female Axle	1
13	2191	15mm Male Axle	1
14	2184	12mm Female Axle	1
15	2185	12mm Male Axle	1
16	1775-2	Retaining Ring	3
17	2186	10mm Female Axle	1
18	2187	10mm Male Axle	1
19	1773-4	Axle Washer	4
20	1771	Axle Bolt (M6 x 30)	4

Ref. #	Part #	Description	Qty.
21	2188	9mm Female Axle	1
22	2189	9mm Male Axle	1
23	2194	12mm Front Adaptor	1
24	2192-2	Unthreaded Alignment Stud	2
25	2193-2	1.5mm O-Ring	2
26	2195	Pilot Bolt with 4mm Pilot	1
27	2196-2	Threaded Alignment Stud	2
28	2169	Pilot Bolt with 5mm Pilot	1
29	2162	Axle Collar	4
30	2179	IS Mount Cutter	1
31	2171	Post Mount Cutter	1

